



CCW-RV-OF

The ultimate weigher is now open for cleaning

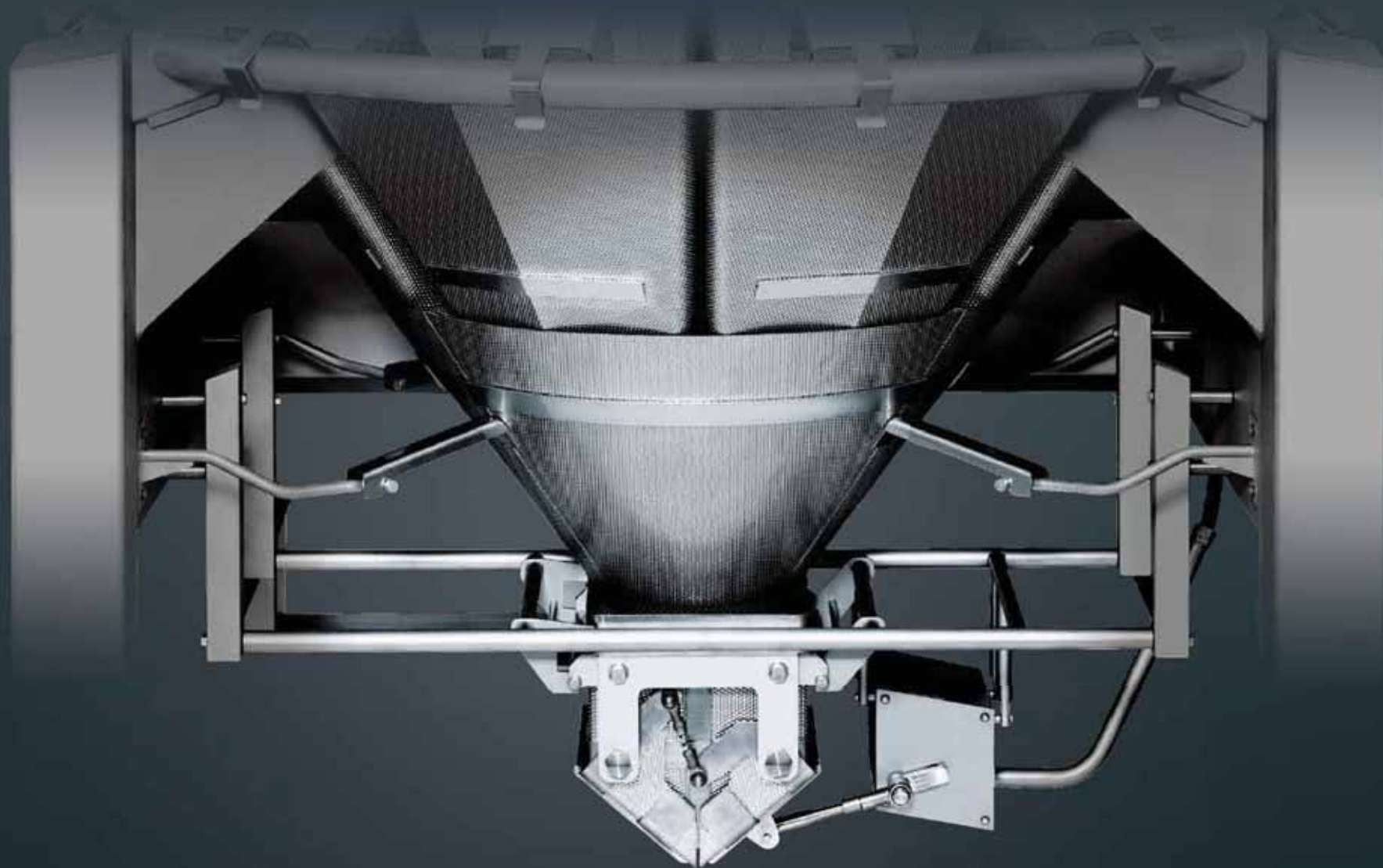


Have you ever thought about how machine design can simplify the sanitation process?

What if we make the weigher with all the performance you want, but with sanitary design on an epic scale?

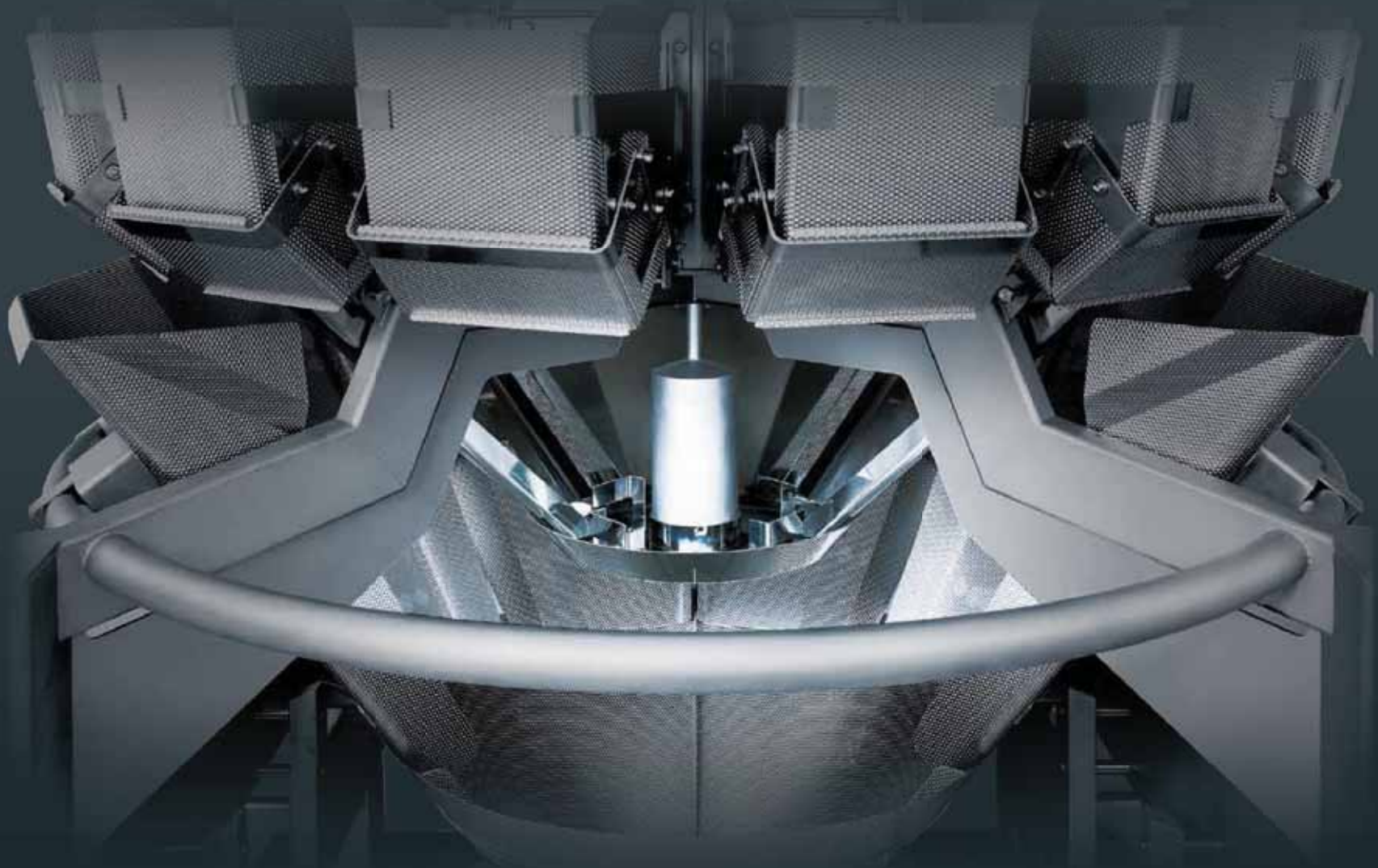
Ishida introduces the very first high-performance weigher that makes sanitation a non-issue.

All new design with full accessibility

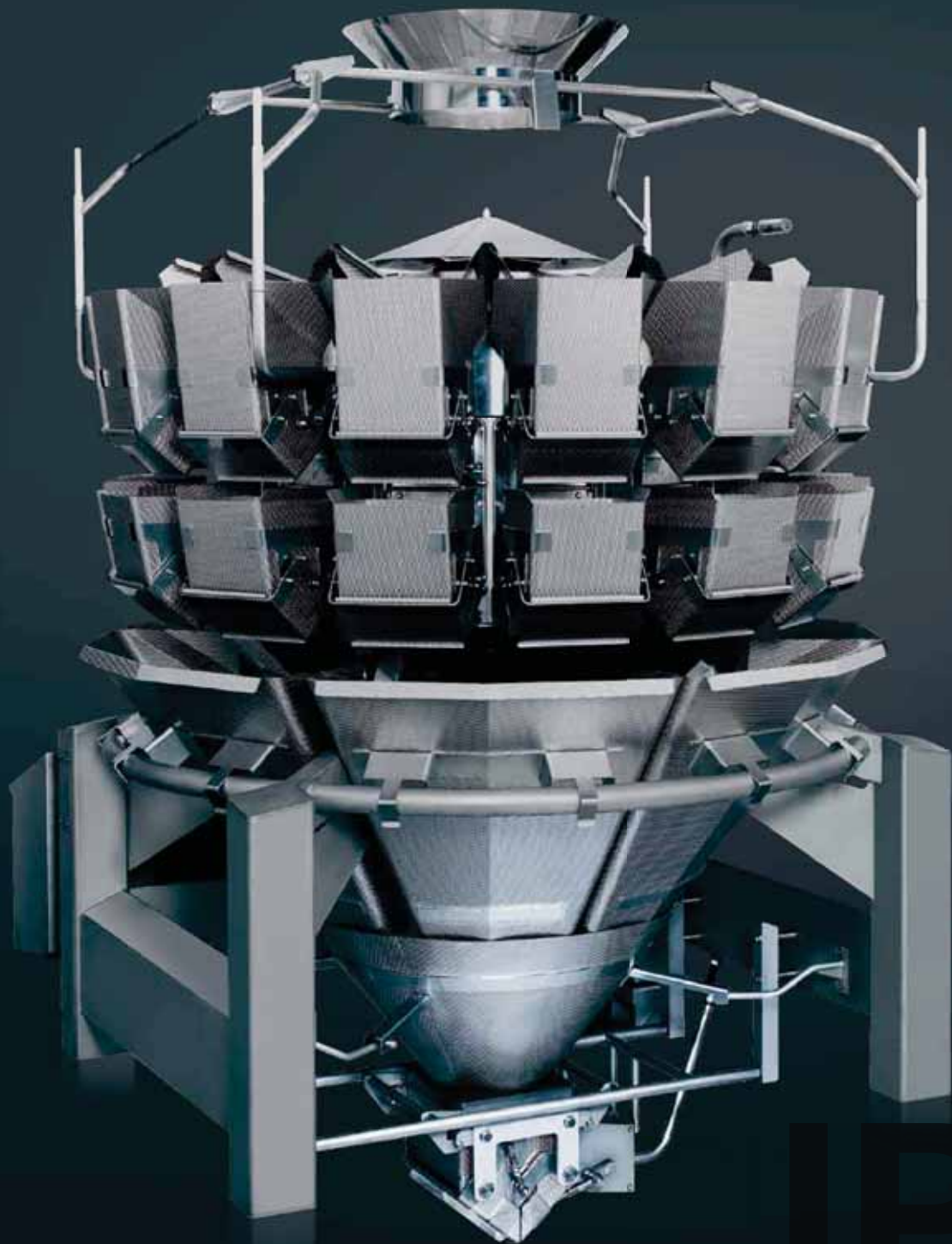


The highest sanitary construction

Robust construction with complete access to all components



No tools required




CCW-RV Series

Open Frame multihead weigher

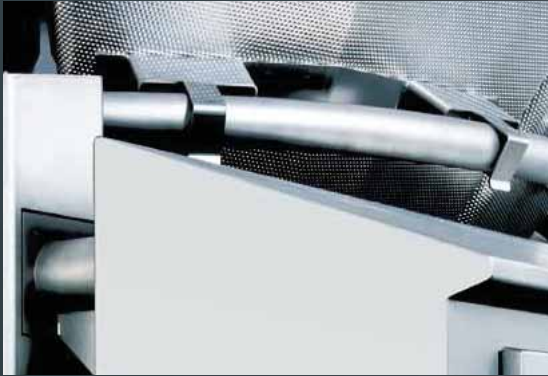
IP67

IP66+

IP69K



Radical design, yet completely logical
for your sanitation requirements



Sloped electrical cabinet with
water drain ledge



Support pipe frames with round and
smooth design

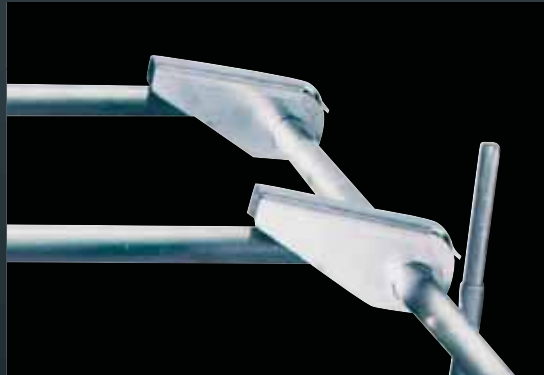


Sloped main body support legs

Neat and open design infeed ring
with rounded pipe frame

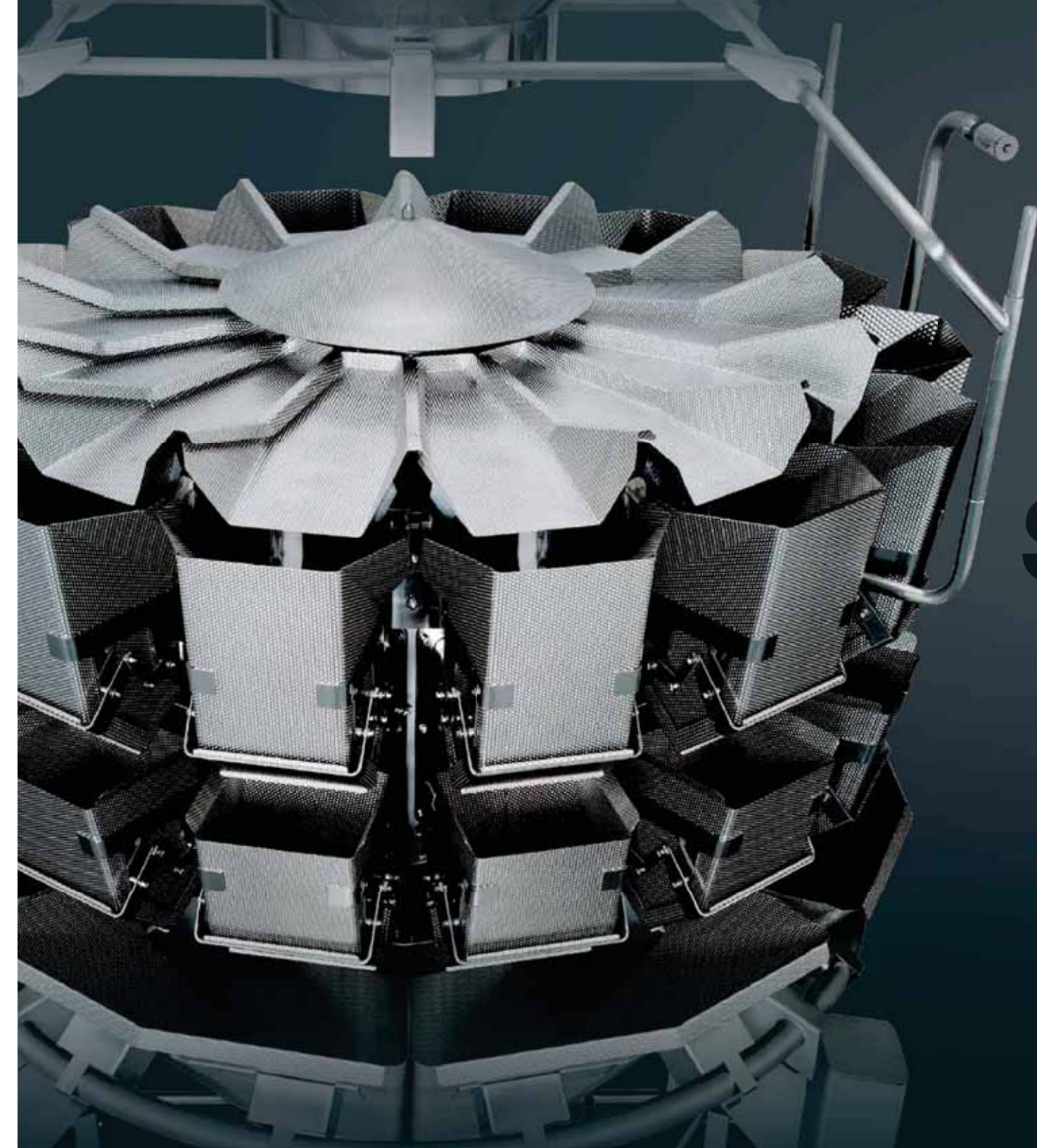


Quick release lever locks
for infeed ring



Adjustable infeed camera pole





Sol

Sustain

Sar

ition

Precision

Innovation

able

CCW-RV Series

Our visions of how design can shape your demand

tary

Robust

Performance



ISHIDA CO., LTD. www.ishida.com

44, SANNO-CHO, SHOGOIN SAKYO-KU,
KYOTO 606-8392 JAPAN
Phone : 81-75-771-4141 Facsimile : 81-75-751-1634



HEAT AND CONTROL, INC.

www.heatandcontrol.com
21121 CABOT BLVD. HAYWARD, CA 94545-1132 USA
info@heatandcontrol.com